



FETtec OSD Board

Manual

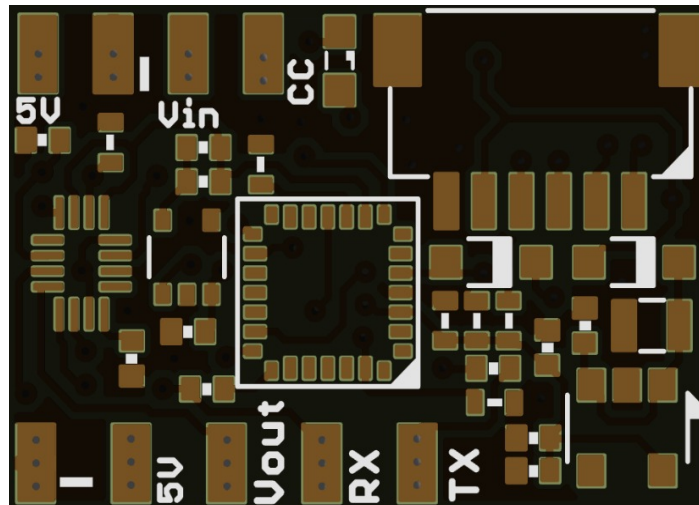


Table of Contents

| | |
|--|---|
| Introduction..... | 3 |
| Features..... | 3 |
| Connection Diagram..... | 4 |
| Layout..... | 4 |
| Dimension (in mm)..... | 4 |
| Basic Setup..... | 5 |
| 6 Pin connection (cable included)..... | 5 |
| VTX connection..... | 6 |
| Camera connection..... | 6 |
| OSD Firmware | 7 |
| Settings..... | 7 |
| Issues in the picture..... | 9 |
| Move elements in the OSD menu..... | 9 |

Introduction

Thank you for purchasing the KISS compatible FETtec OSD Board.

Features

- Graphic OSD (STM32)
- Full KISS Tuning
 - Filter (PIDs, Rates, Settings)
 - LED control (RGB LED, Racewire)
 - VTX
 - Live data graphs (Voltage, motor rpm, current, motor temp, gyro values, link quality)
 - KISS GPS support + live map
 - Custom graphic pilot logo
 - Stick overlay
 - Custom layout

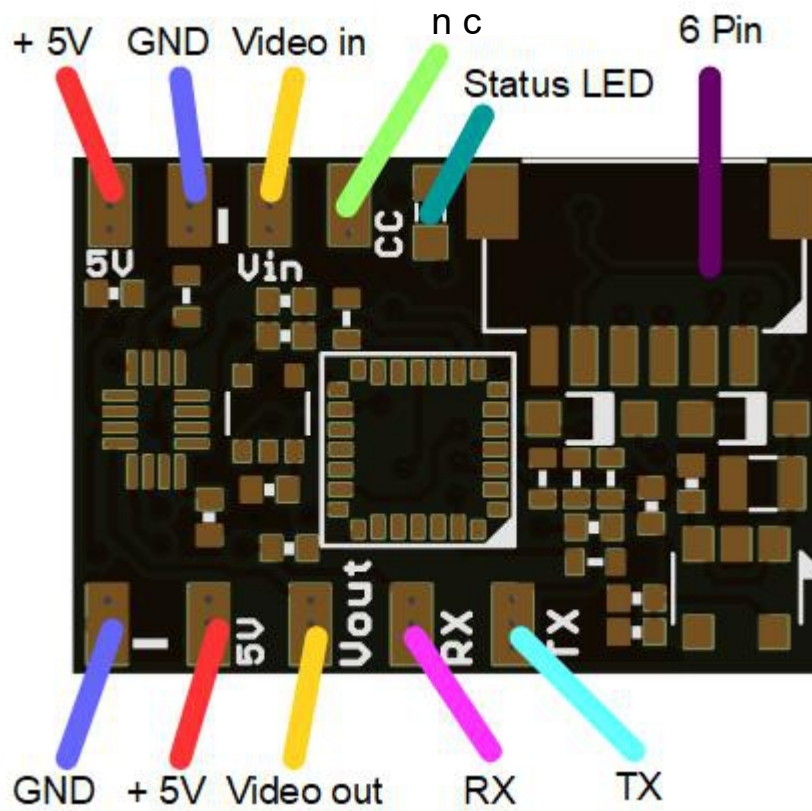
Connection via Solder pads or JST 6 pin plug (FETtec FC and KISS FC compatible) + video connection

- KISS FC compatible

The FETtec OSD works with KISS/FETtec FC firmware version 1.3RC45Y or later !

Connection Diagram

Layout



GND – Reference Signal Ground

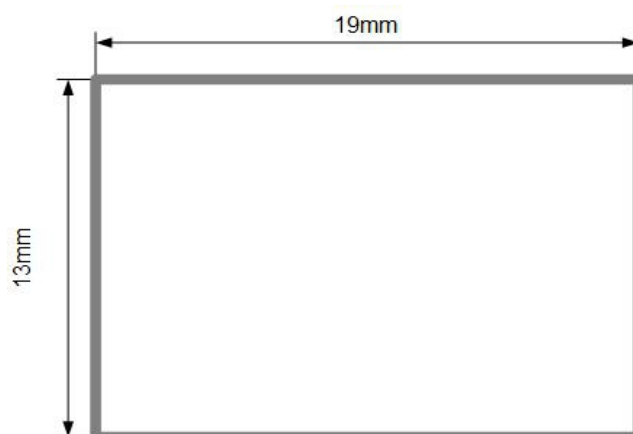
5V from FC

Vin + Vout – Video in and out

n c – not connected

JST-SH-1mm 6-pin connection

Dimension (in mm)



Basic Setup

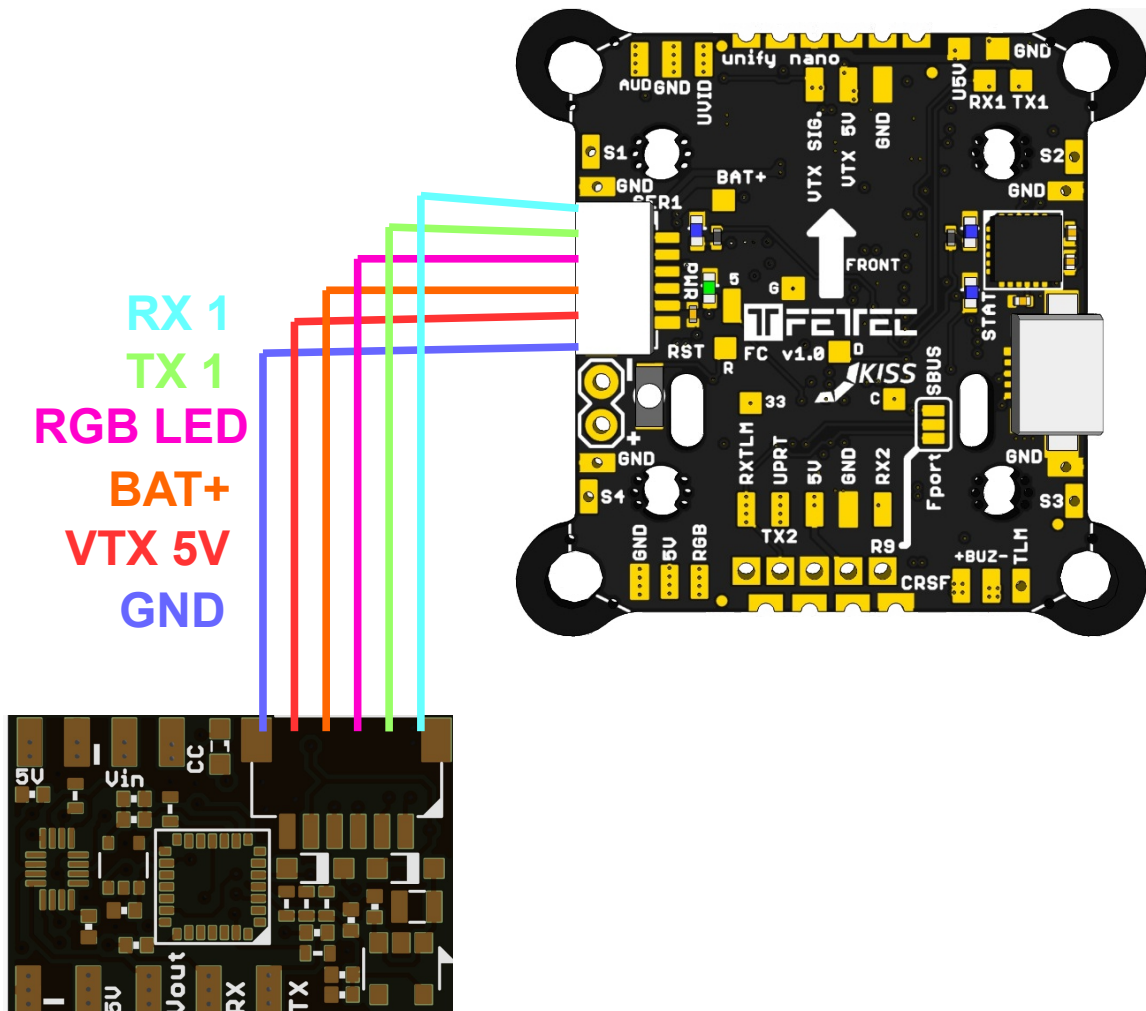
6 Pin connection (cable included)

(JST-SH-1mm 6-pin)

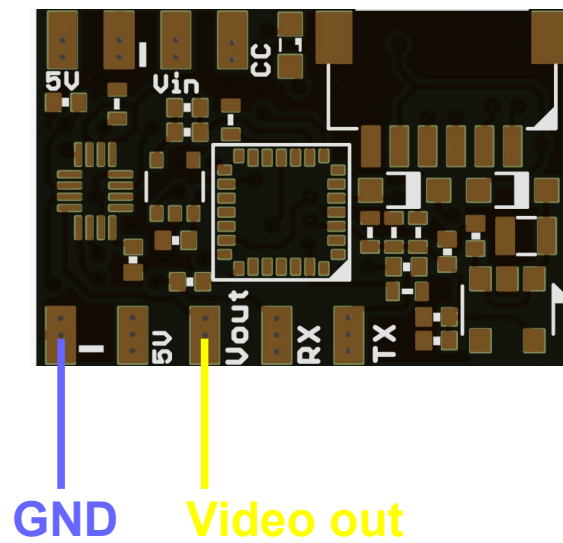
This can be connected via straight 6 pin adapter to any FETtec FC / KISS FC serial port

OSD only works with connected camera!

FETtec OSD Board to FETtec KISS FC

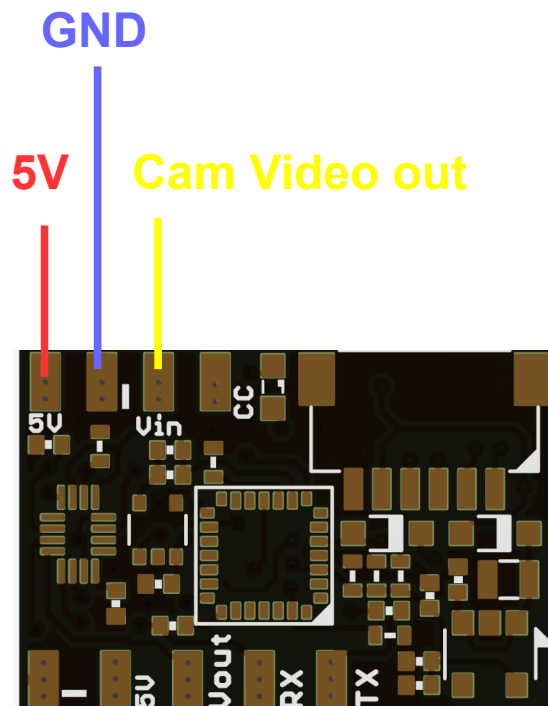


VTX connection



You can use this connection instead of connecting the VTX to the FC
Smart audio always has to be connected to the FC

Camera connection



OSD Firmware

Please update the FETtec OSD Board before your first flight !

To update the FETtec OSD connect to FETtec Configurator and flash via FC passthrough latest firmware.



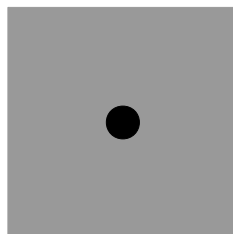
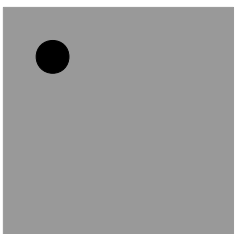
Settings

All settings are to set directly in the OSD

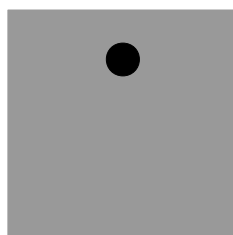
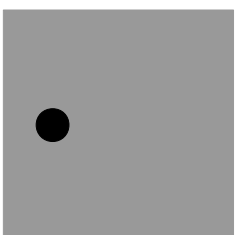
To get in the menu move the sticks in the shown direction at the start:

Throttle 50%, then move Yaw left, Pitch up

Mode 1:



Mode 2:



In the menu:



OSD settings:



Issues in the picture

1. OSD SYNC → AUTO SYNC
2. in case of unsharp lines play with LEFT/WITH values try to avoid WITH values above 400
3. make a PAL/NTSC layout reset

Move elements in the OSD menu

Choose LAYOUT → SET POSITIONS in the SETTINGS.

Now the elements are movable along the grid.

Skip between the elements and select them to set new position.

To exit the 'move menu' hold stick Yaw left for a few seconds